

**LISUS**  
*We Connect*



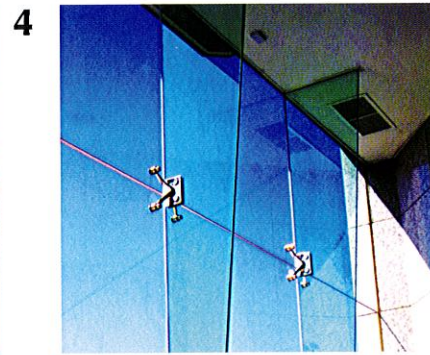
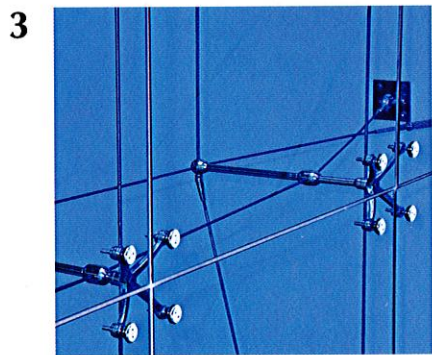
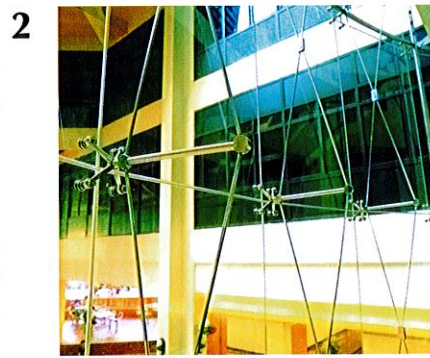
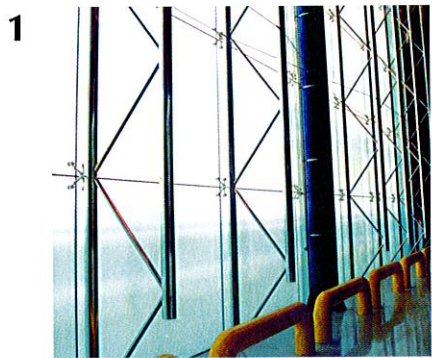
**G-CLAD™** Point Fixed  
Structure Glass System

Fittings and Bolts

minimum structure • maximum vision



## [Point Fixed Glass Facade System]

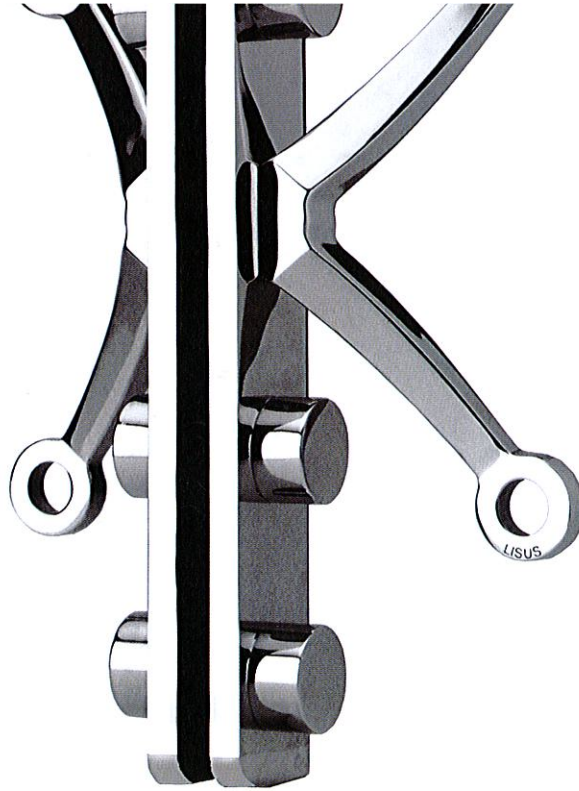


1. Gulf News Extension - Dubai UAE

2. Ngee Ann Polytechnic - Singapore

3. Gek Poh C.C - Singapore

4. National Bank Of Kuwait - Kuwait



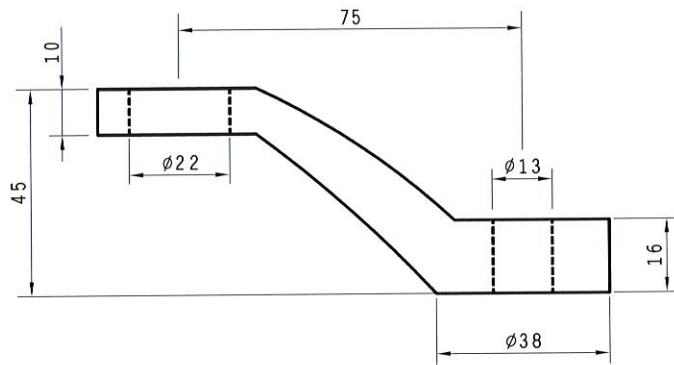
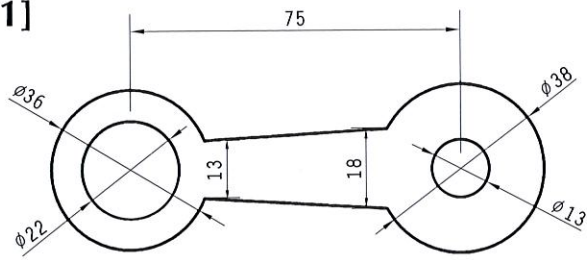
Ten years of experience, hundreds of projects completed in many countries, the experiences has provided us the ability to design, engineer and manufacture a wide range of Fittings, Bolts Assemblies and complete sets of components for Glass Fin, Tension Rod and Cable Structure.

We also manufacture casting to customers design and specification.

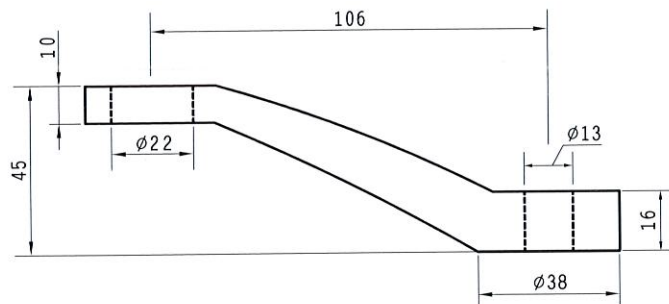
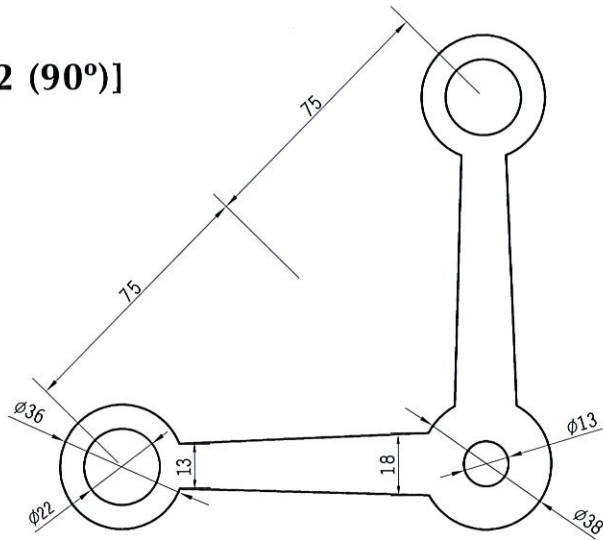
[fittings • bolts]



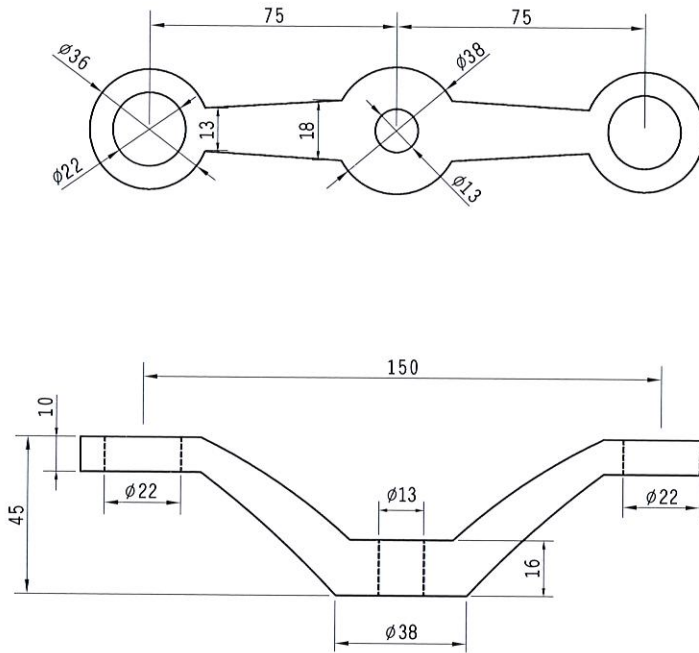
[GS1]



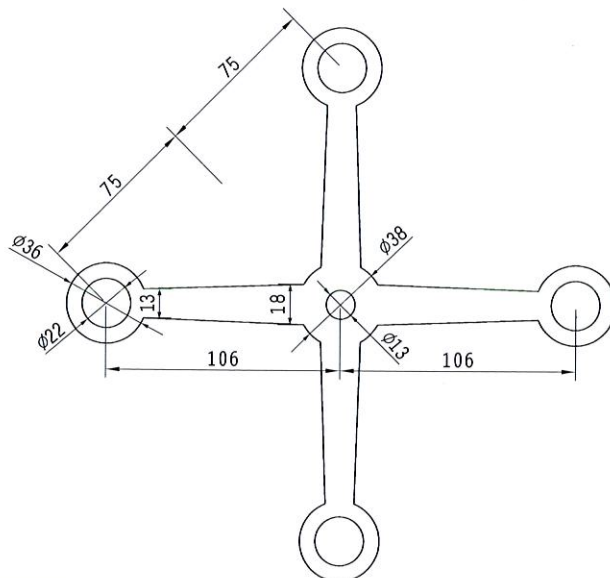
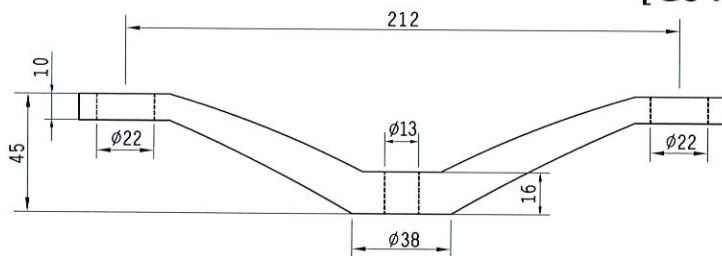
[GS2 (90°)]



[GS2]

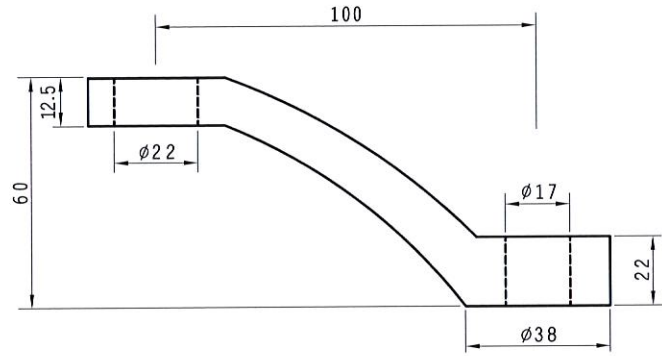
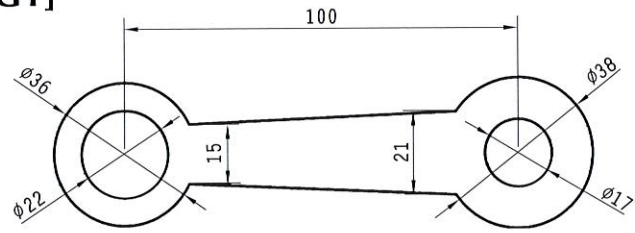


[GS4]

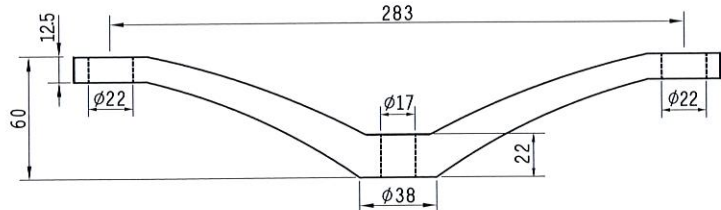
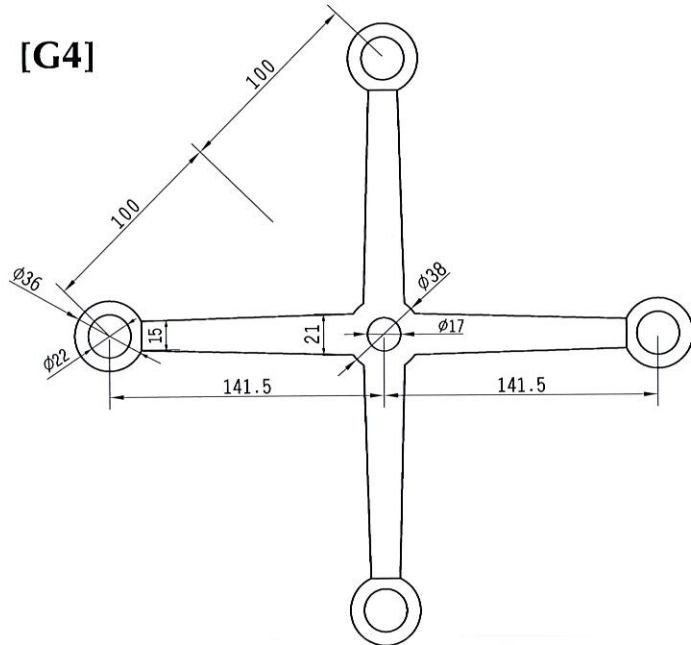




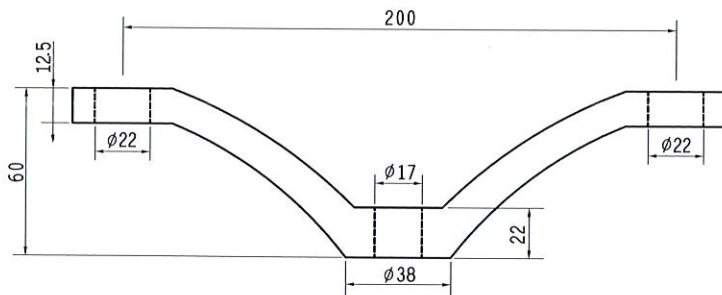
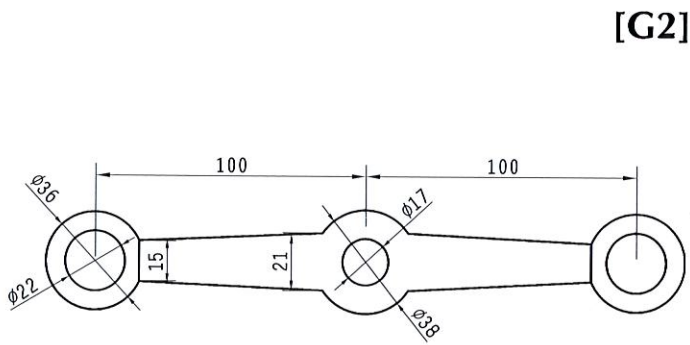
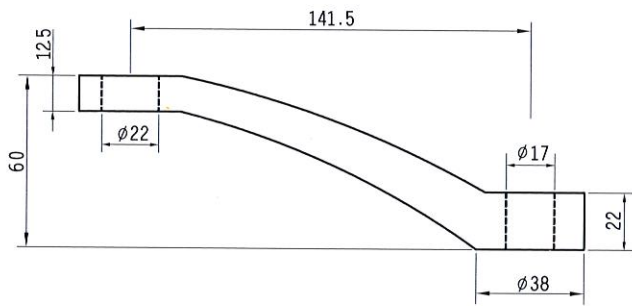
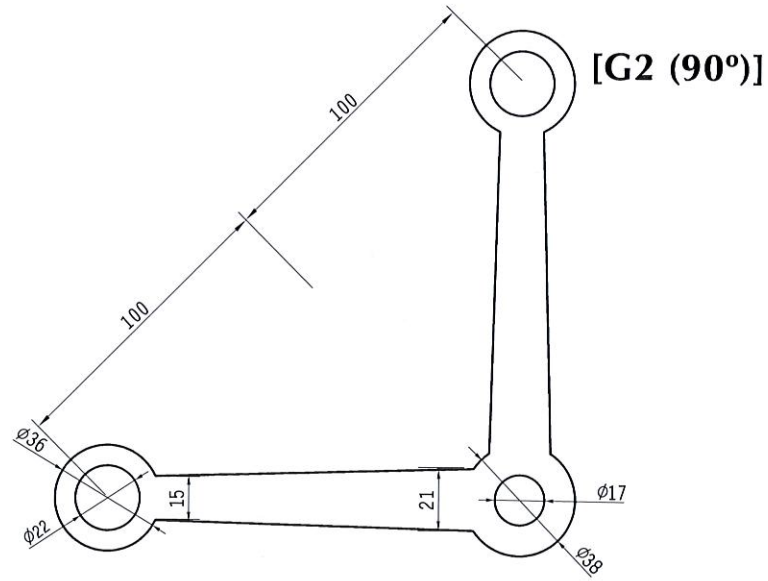
[G1]

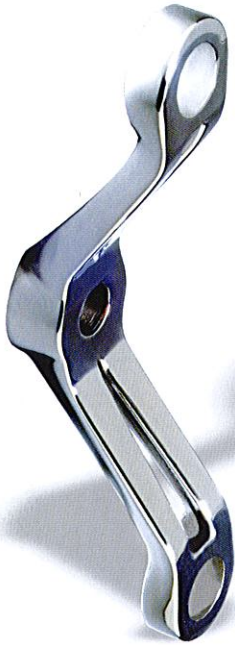


[G4]

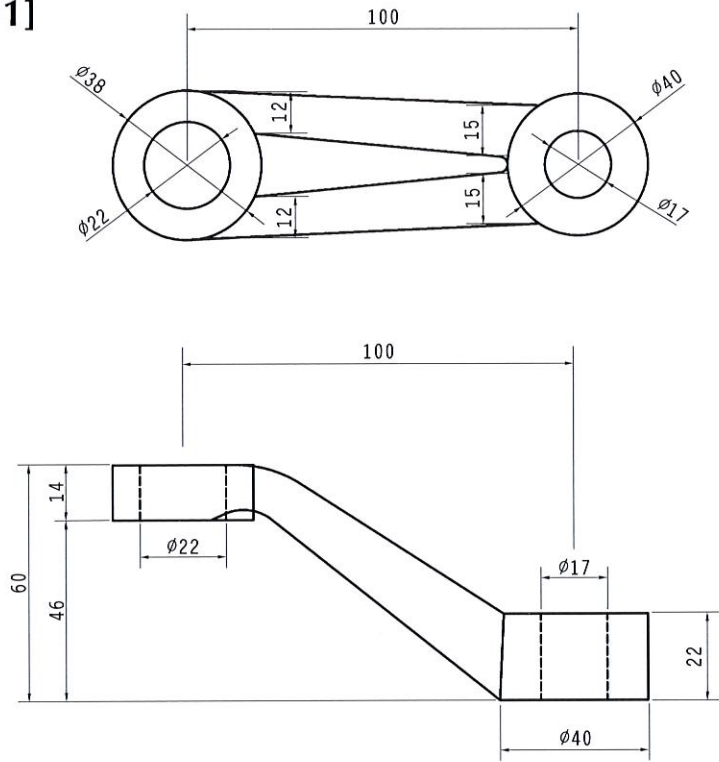


G-CLAD

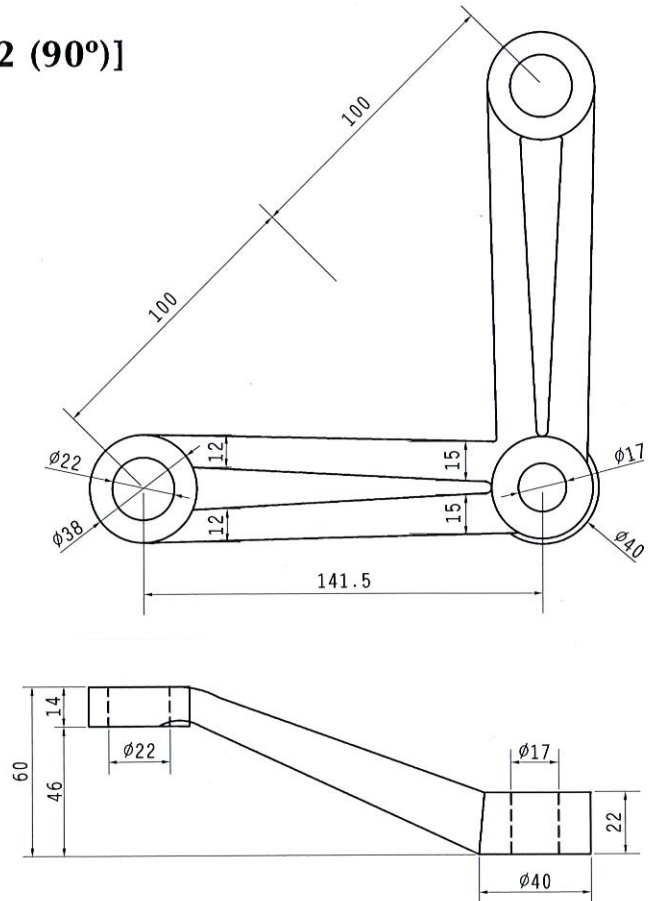




[J1]



[J2 (90°)]

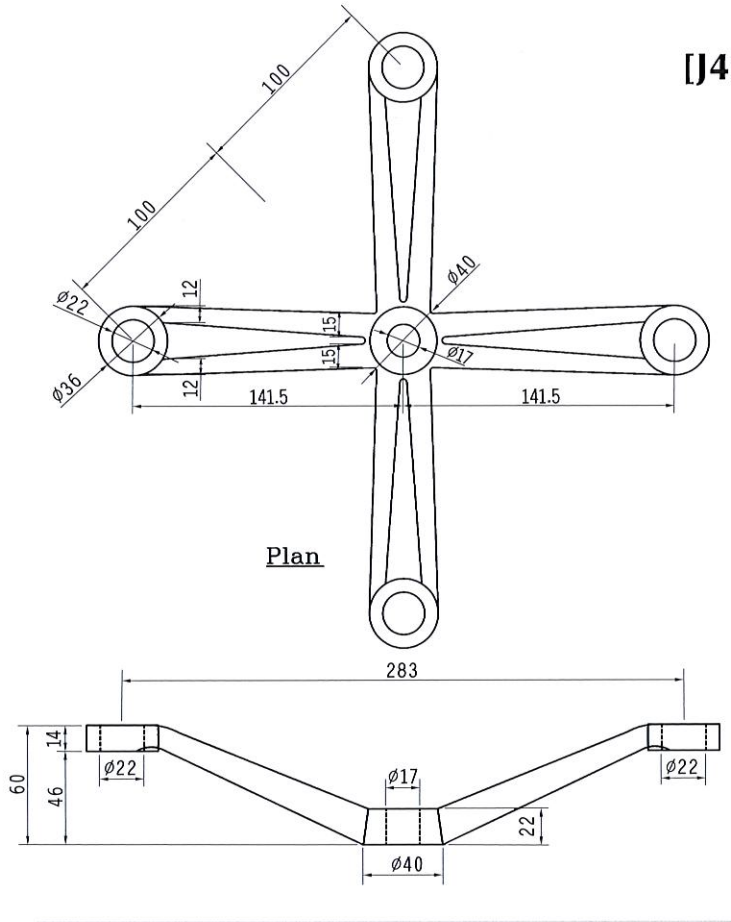


G-CLAD

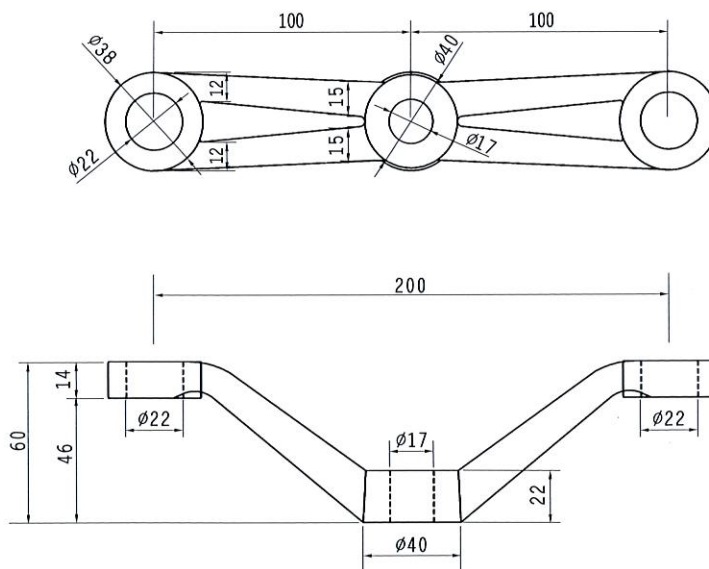


# Medium Duty J Series

[J4]

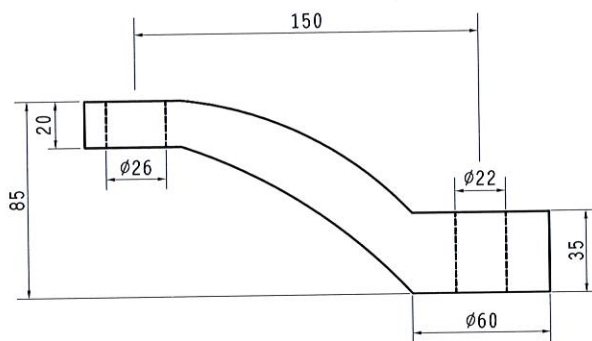
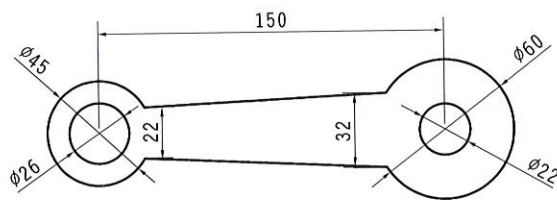


[J2]

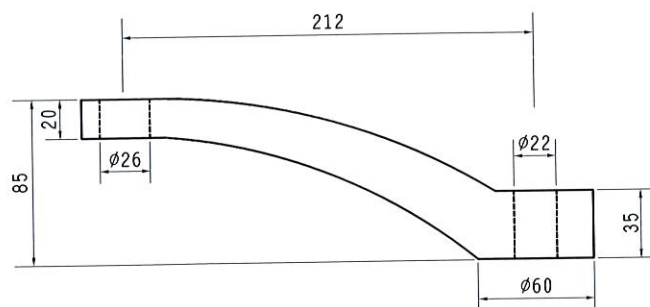
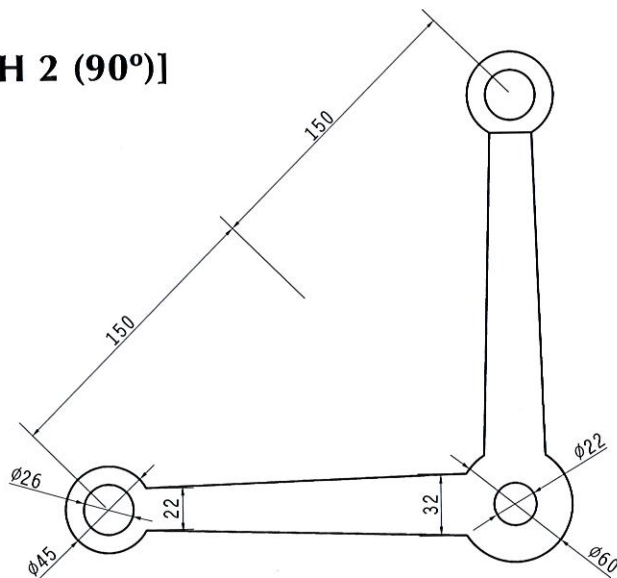


G-CLAD

## [GH1]

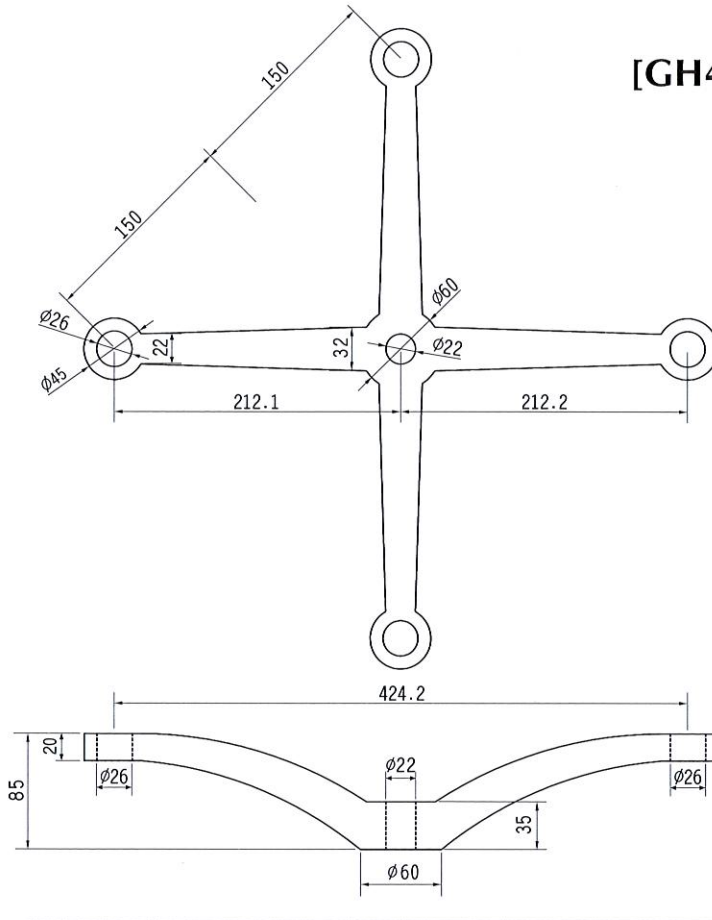


## [GH 2 (90°)]

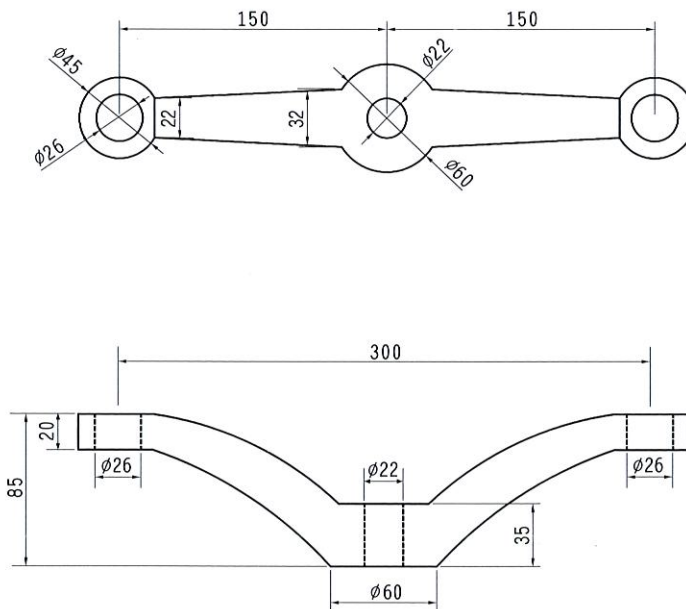


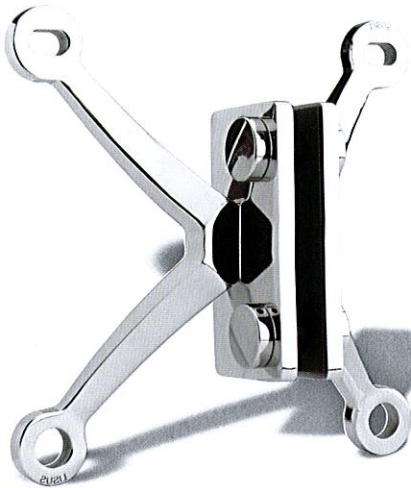
G-CLAD

[GH4]

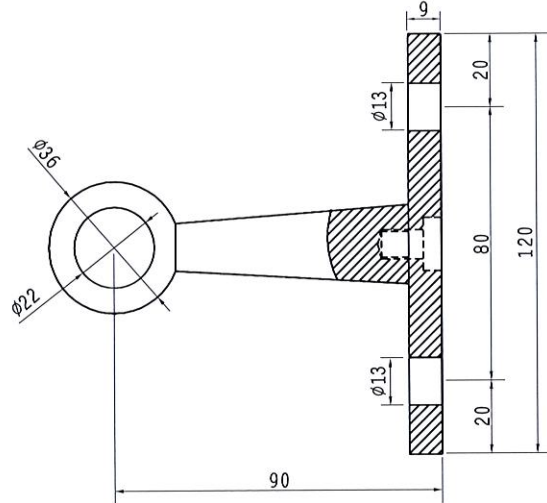
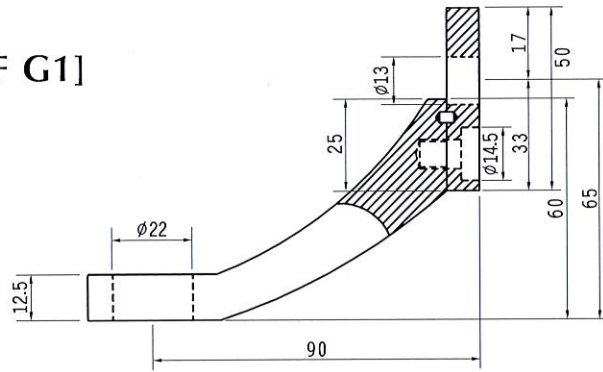


[GH2]

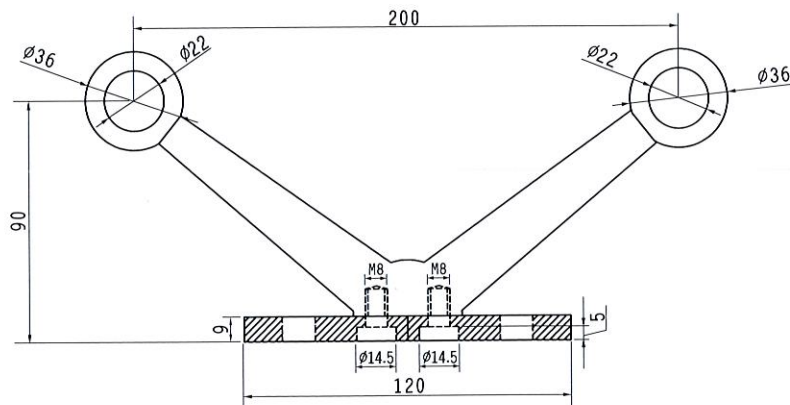
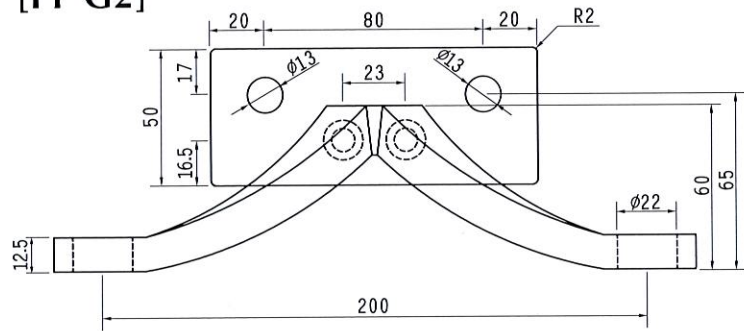




[PF G1]



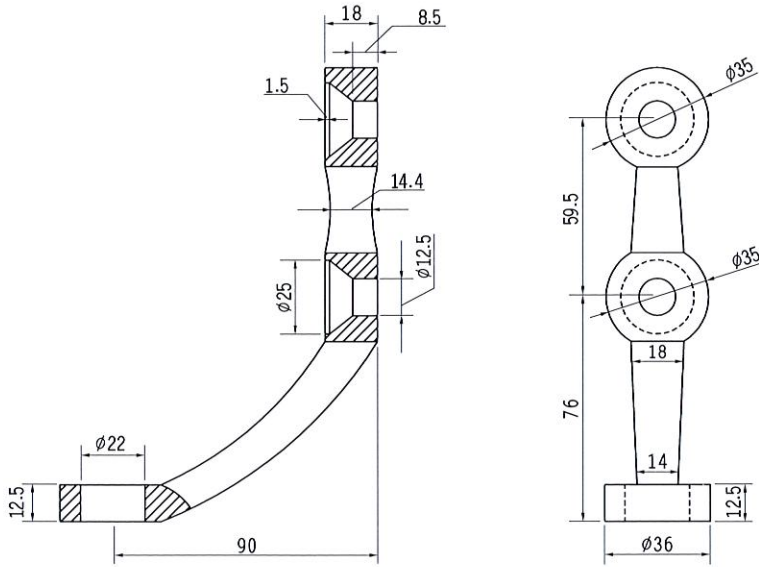
[PF G2]



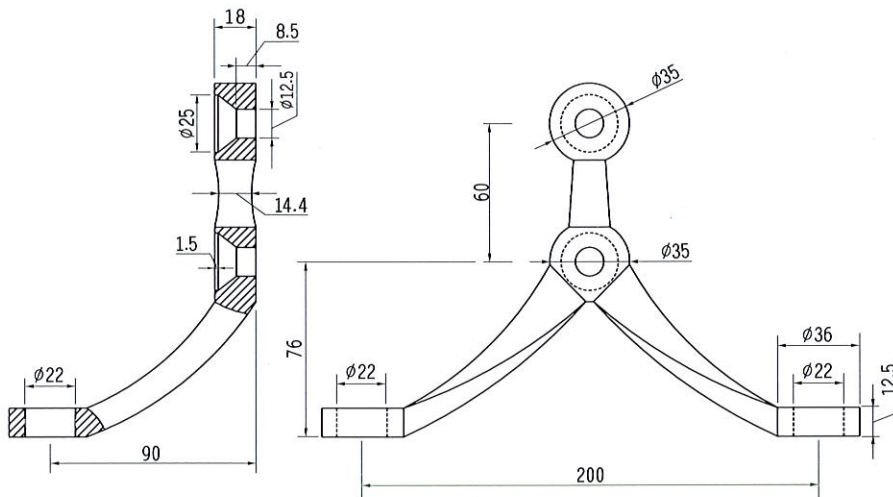
G-CLAD

# Patch Fittings PF Series

## [PFF G1]

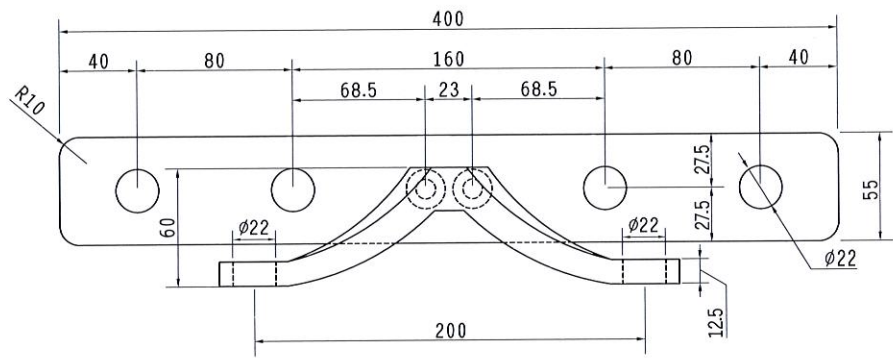
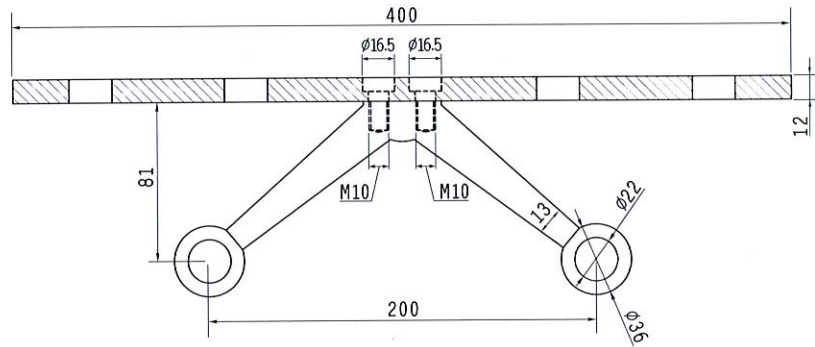


## [PFF G2]

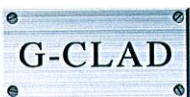
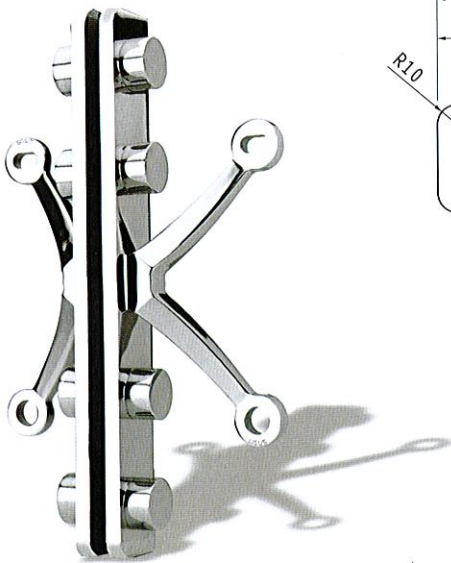
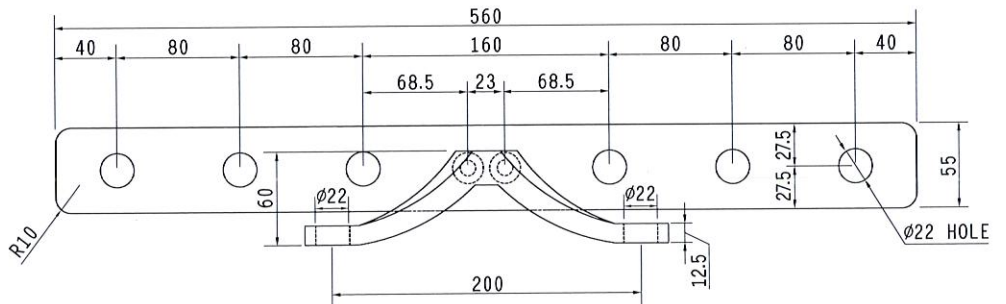
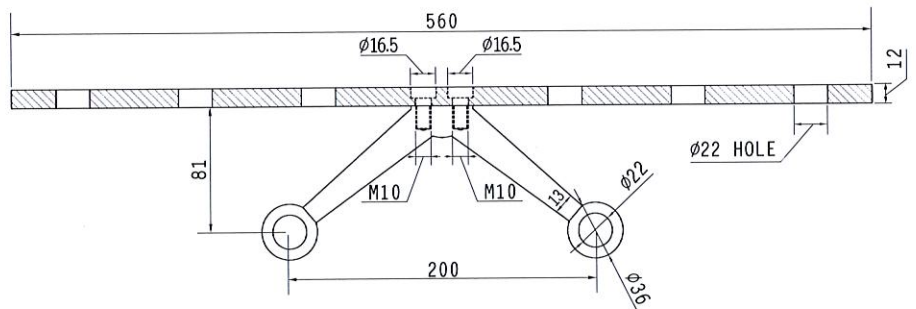


G-CLAD

## [PF400 G2]

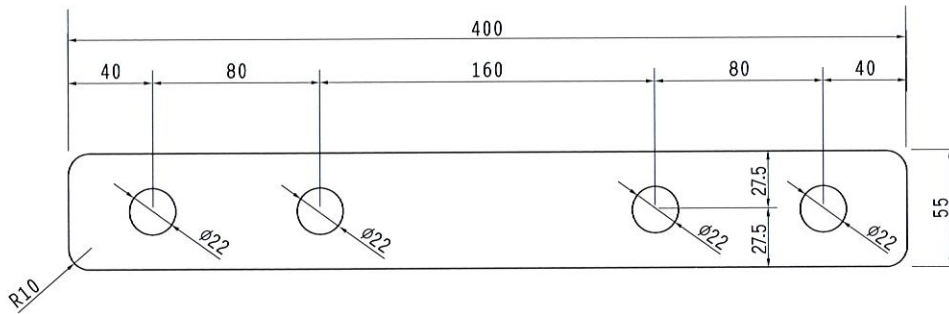
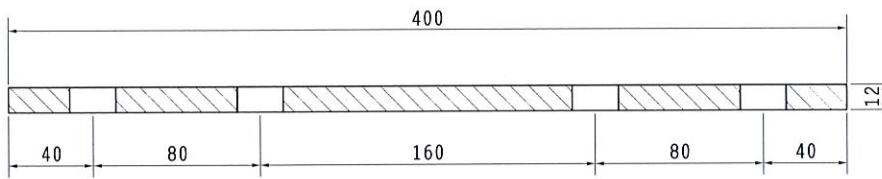


## [PF560 G2]

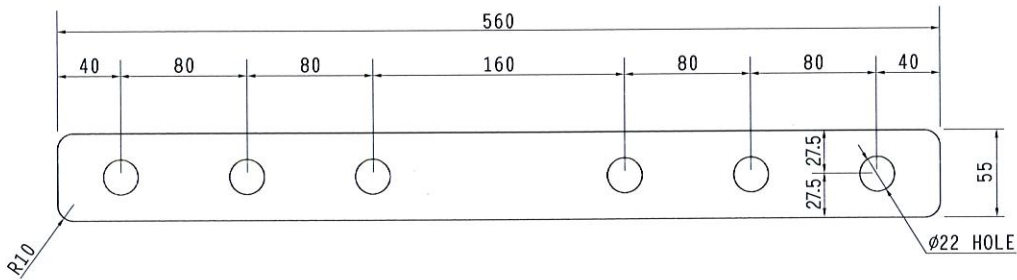
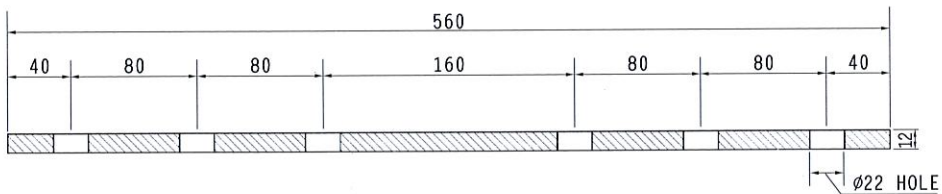


# Patch Fittings PF Series

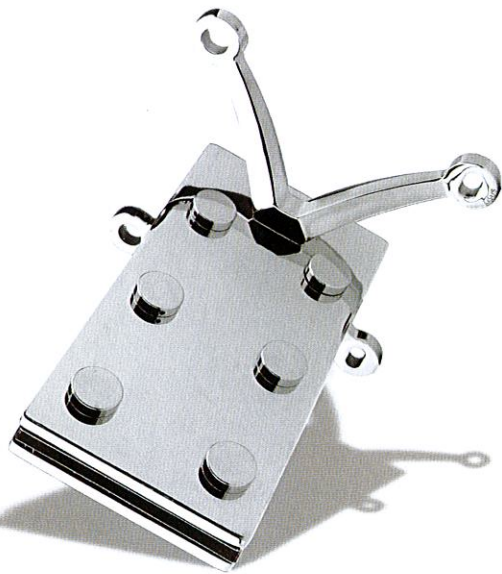
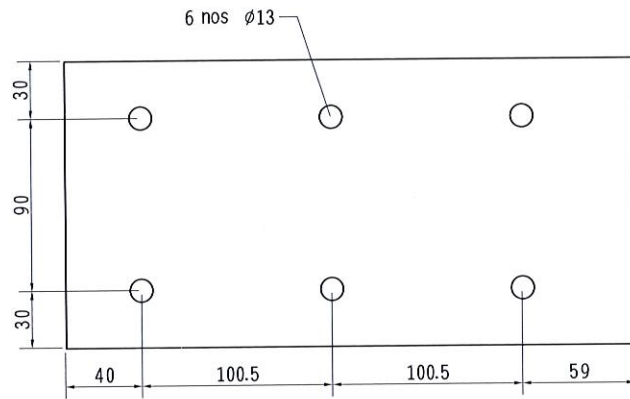
## [PF400]



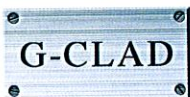
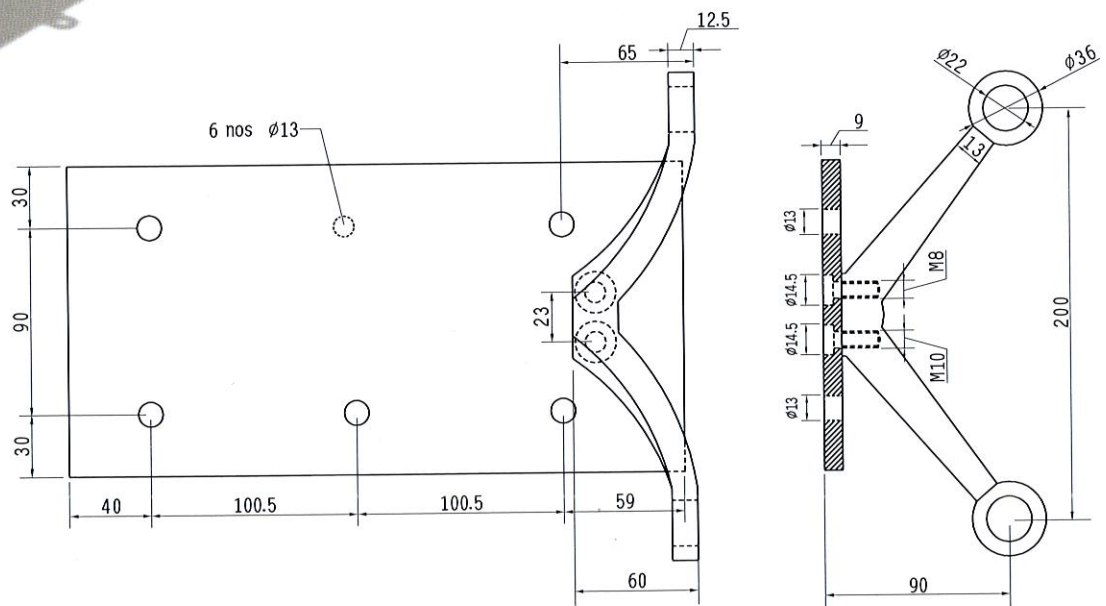
## [PF560]



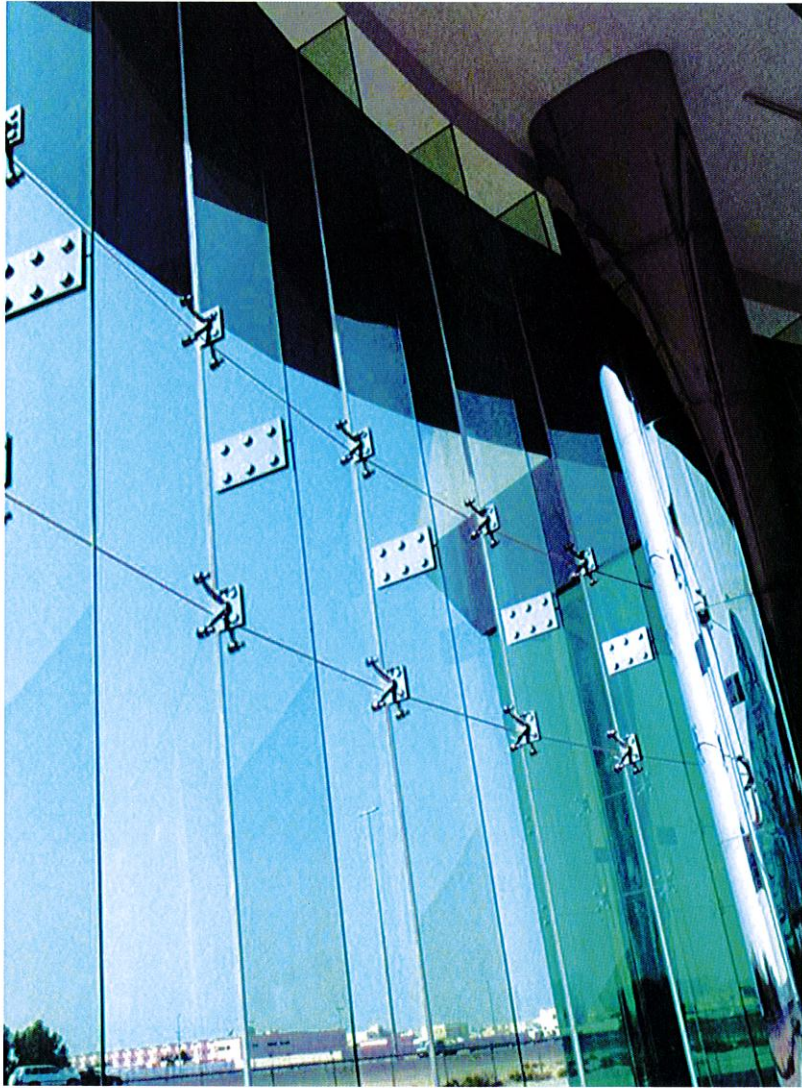
## [PF - 300]



## [PF - 300G2]

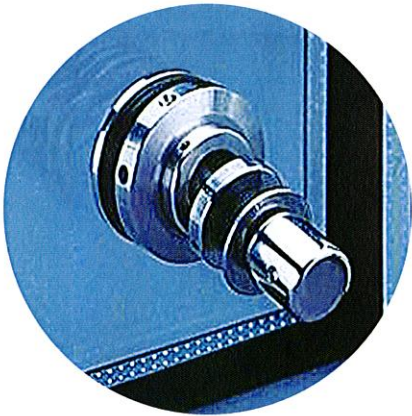
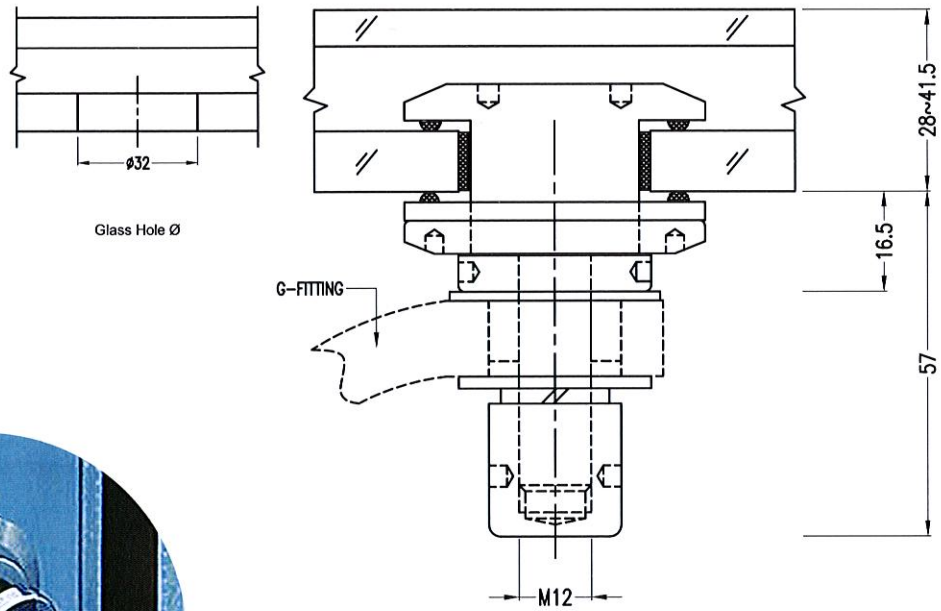




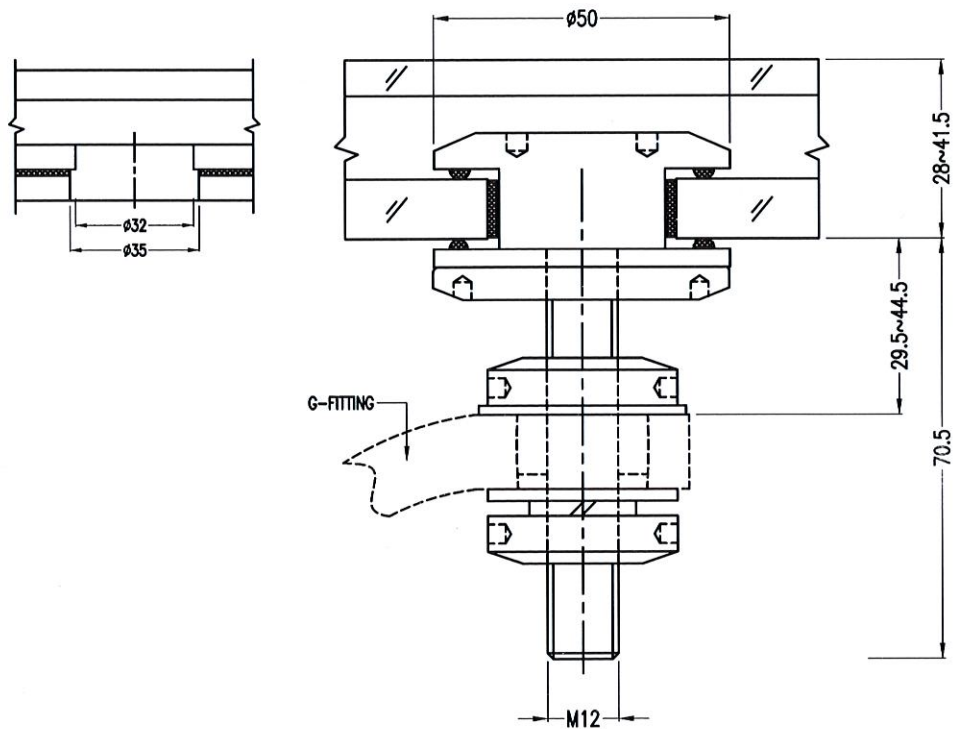


[Hyundai Showroom, Dubai]

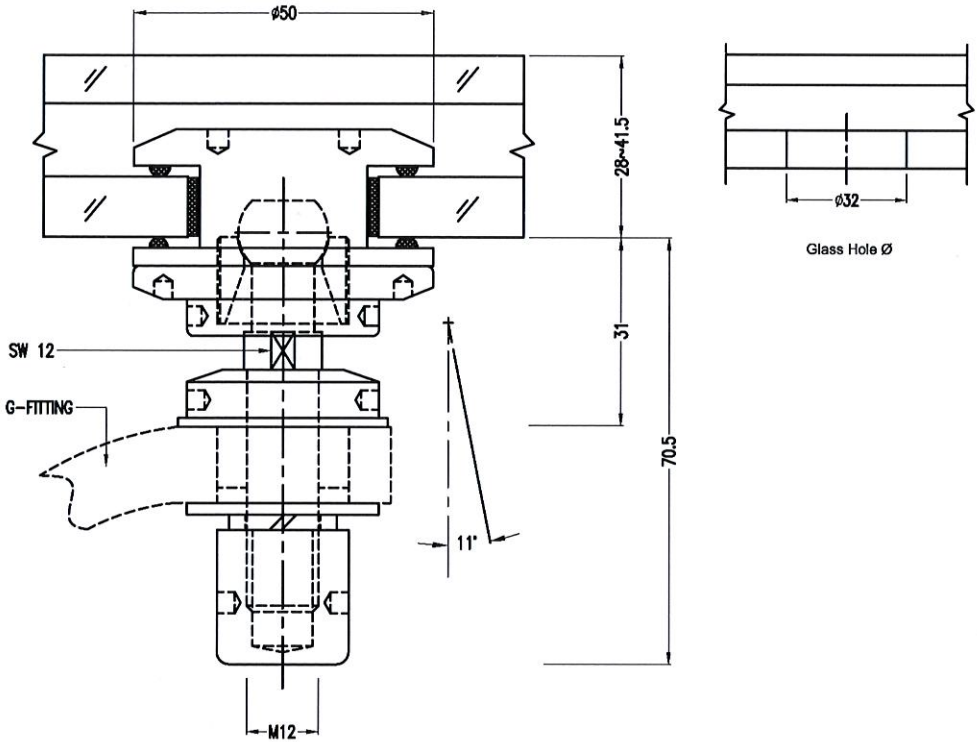
## DG1B - M12 [Double Glazed Fixed Bolt]



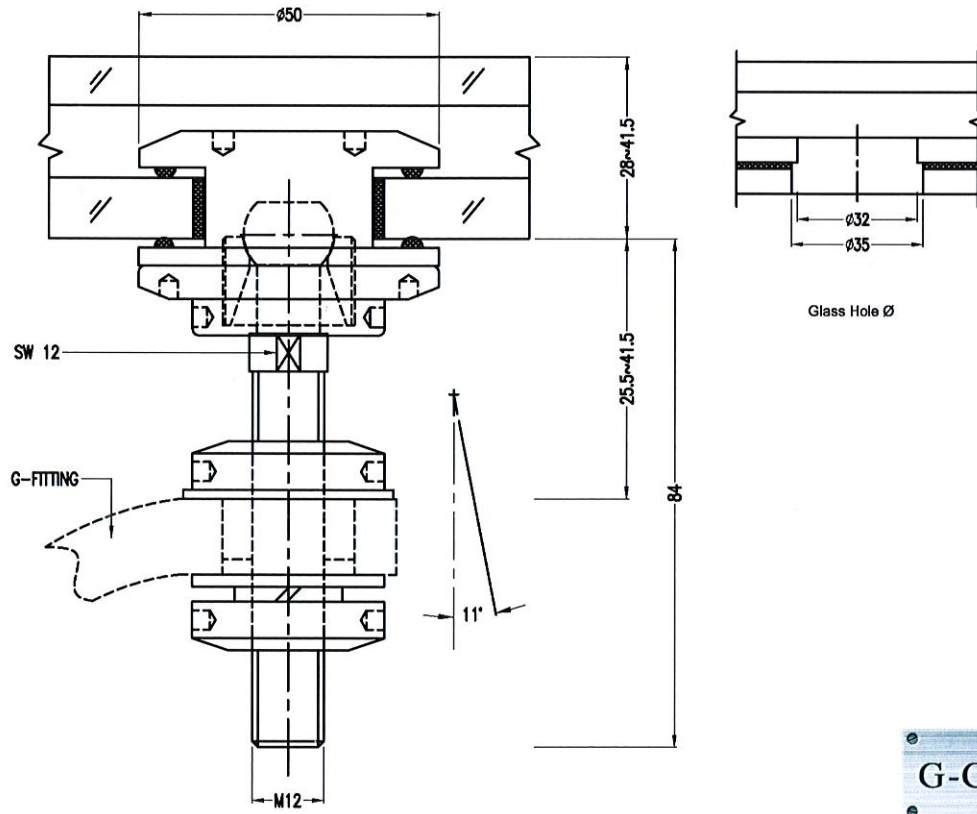
## A - DG1B - M12 [Double Glazed Adjustable Bolt]



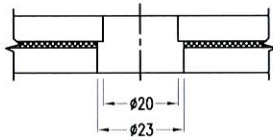
## DG1 - AB - M12 [Double Glazed Articulated Bolt]



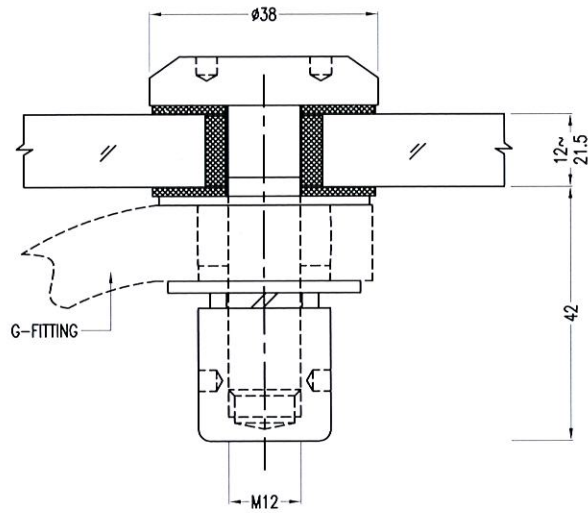
## A - DG1 - AB - M12 [Double Glazed Adjustable Articulated Bolt]



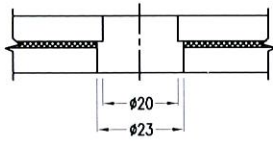
## FHB - M12 [Flat Head Fixed Bolt Type1]



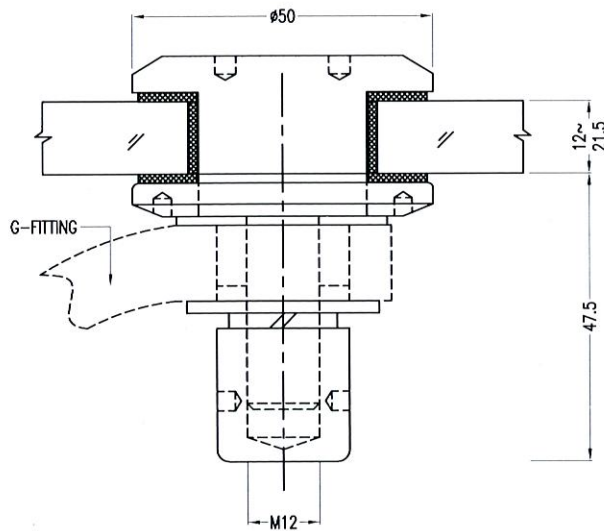
Glass Hole Ø



## FHB2 - M12 [Flat Head Fixed Bolt Type2]

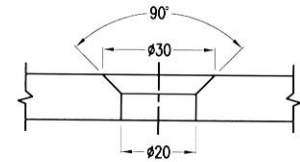
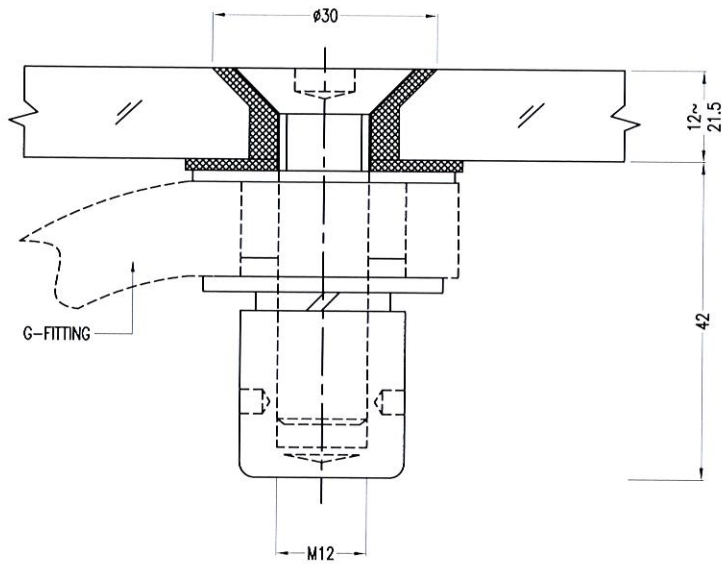


Glass Hole Ø

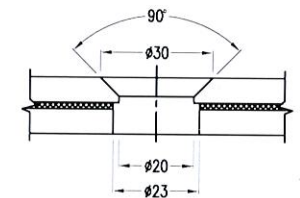


# Fixed Bolts

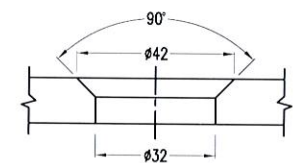
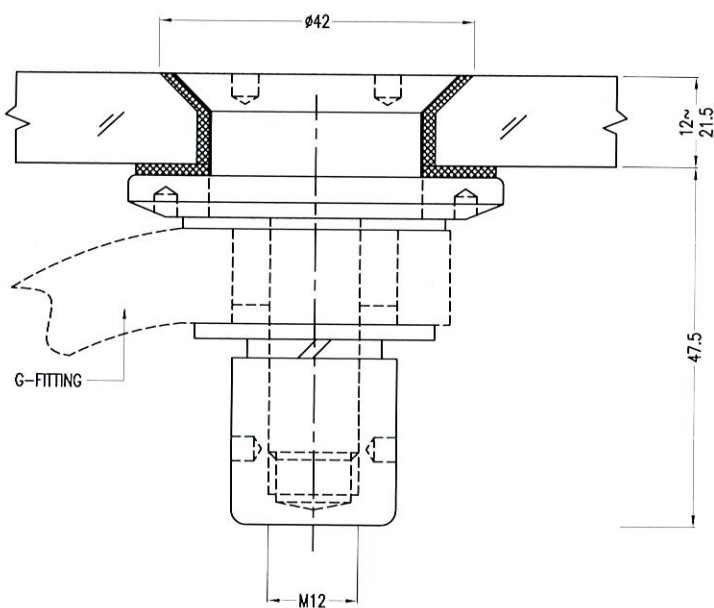
## CSB - M12 [Countersunk Fixed Bolt Type1]



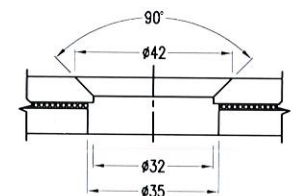
Glass Hole  $\varnothing$



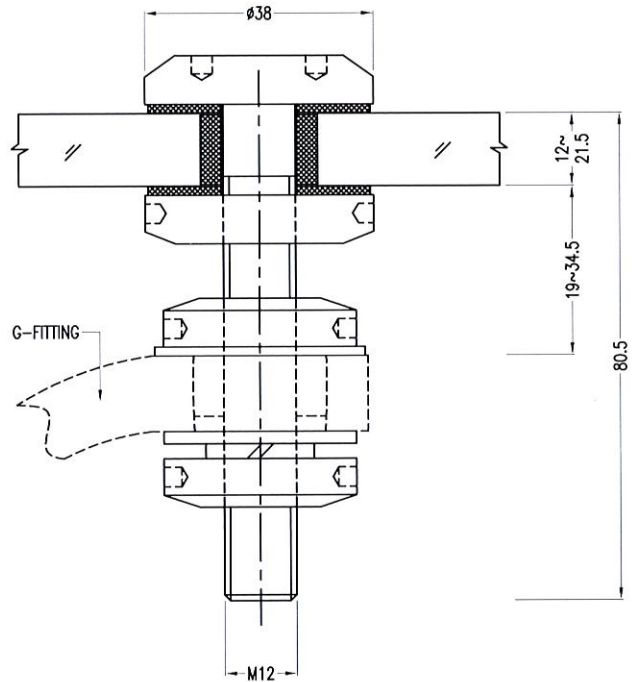
## CSB2 - M12 [Countersunk Fixed Bolt Type2]



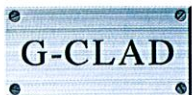
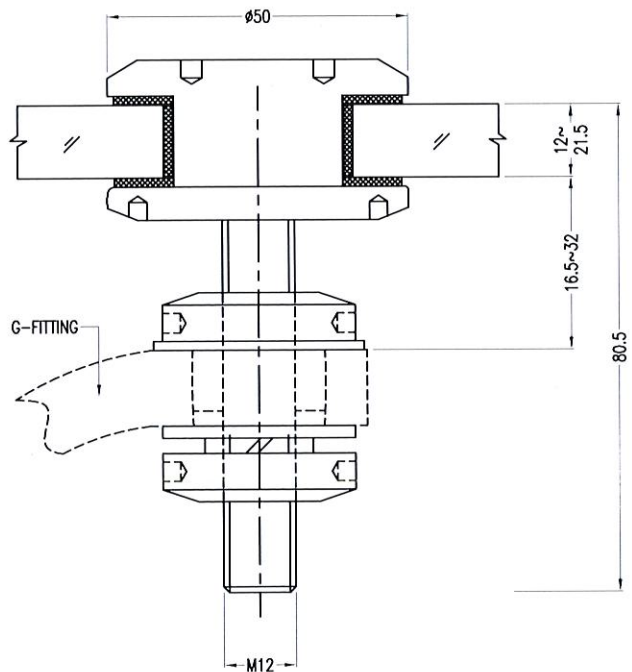
Glass Hole  $\varnothing$



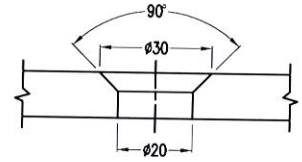
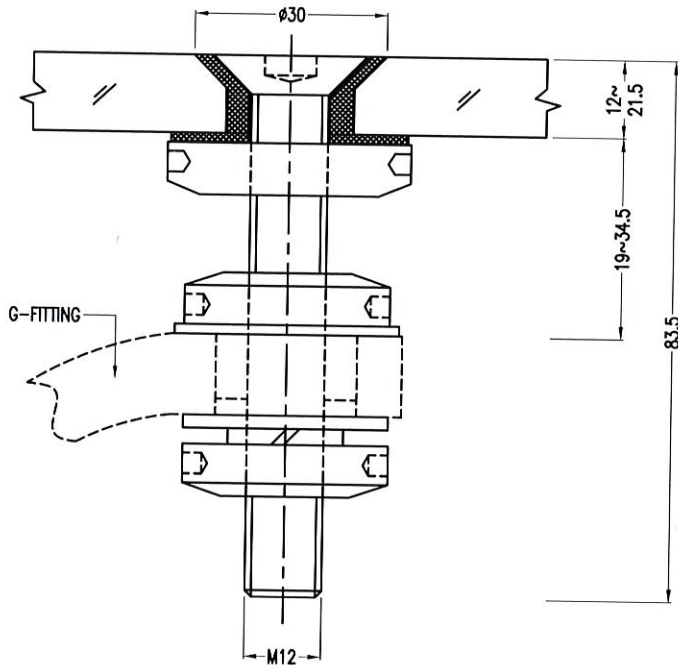
## A - FHB - M12 [Adjustable Flat Head Bolt Type1]



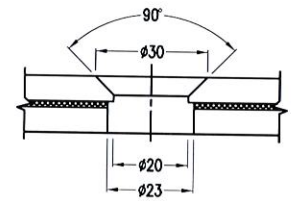
## A - FHB2 - M12 [Adjustable Flat Head Bolt Type2]



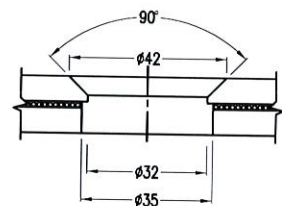
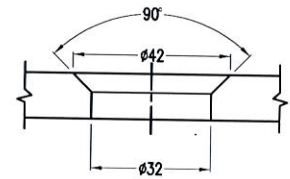
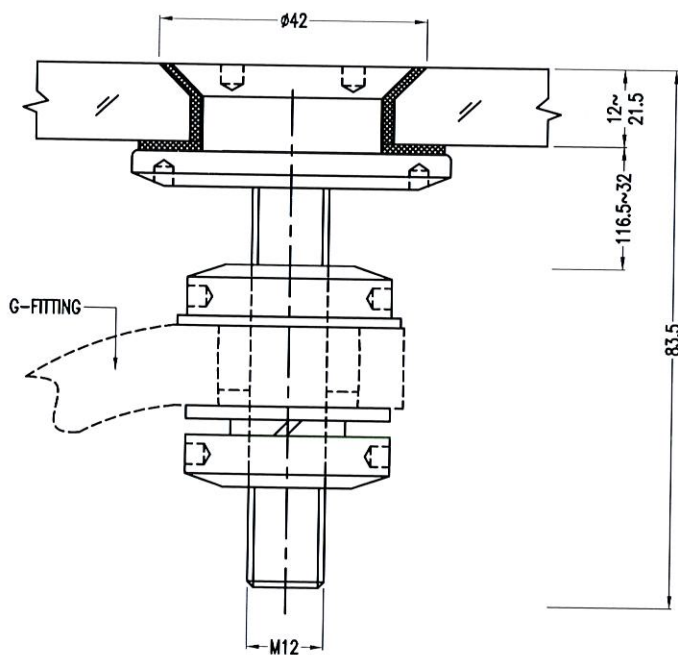
## A - CSB - M12 [Adjustable Countersunk Bolt Type1]



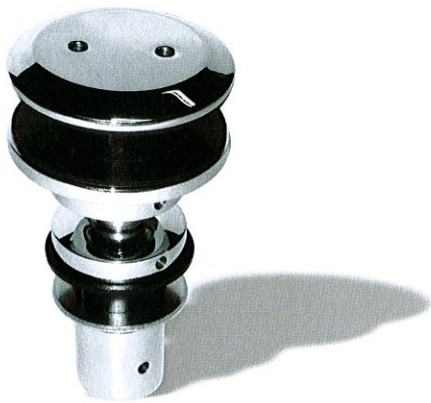
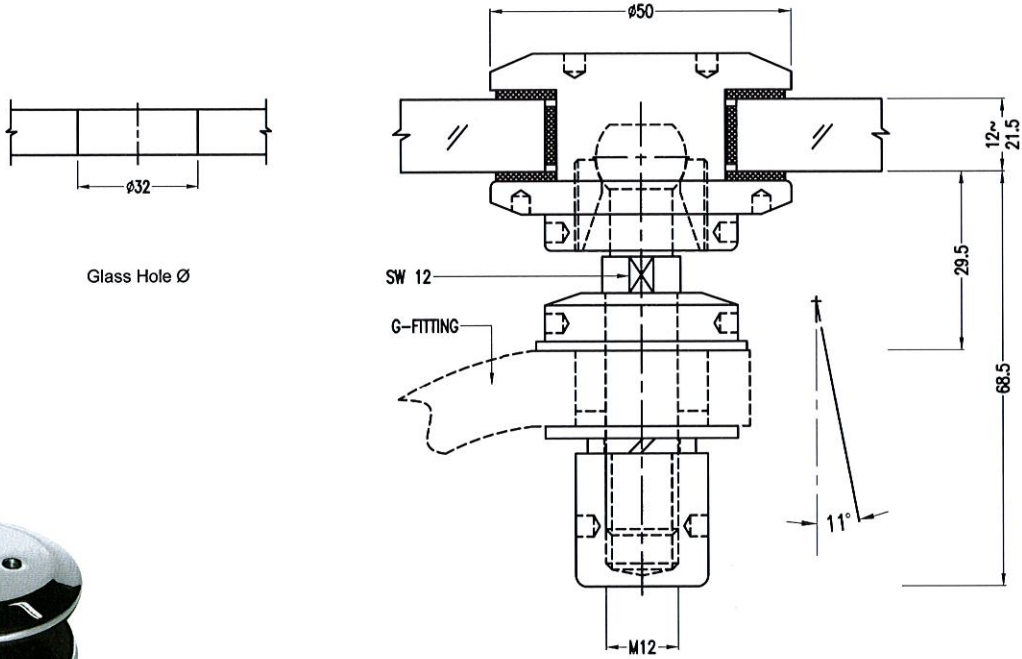
Glass Hole  $\phi$



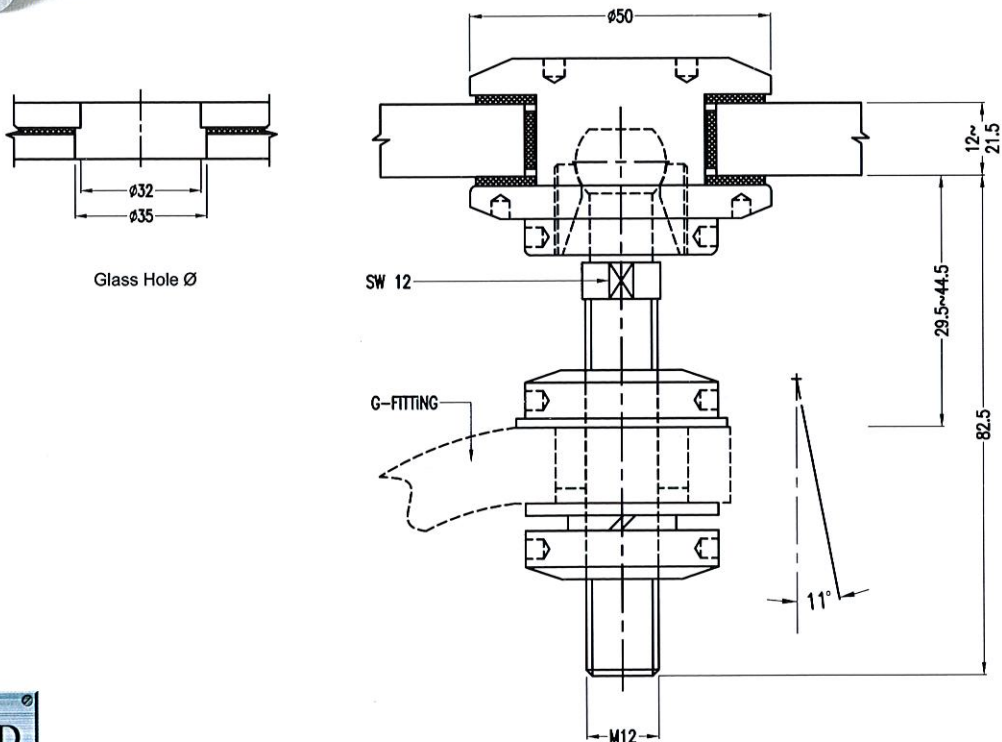
## A - CSB2 - M12 [Adjustable Countersunk Bolt Type2]



## FH - AB - M12 [Flat Head Articulated Bolt]

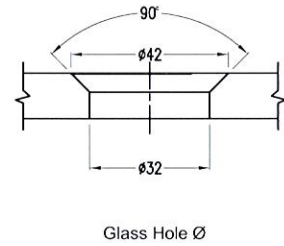
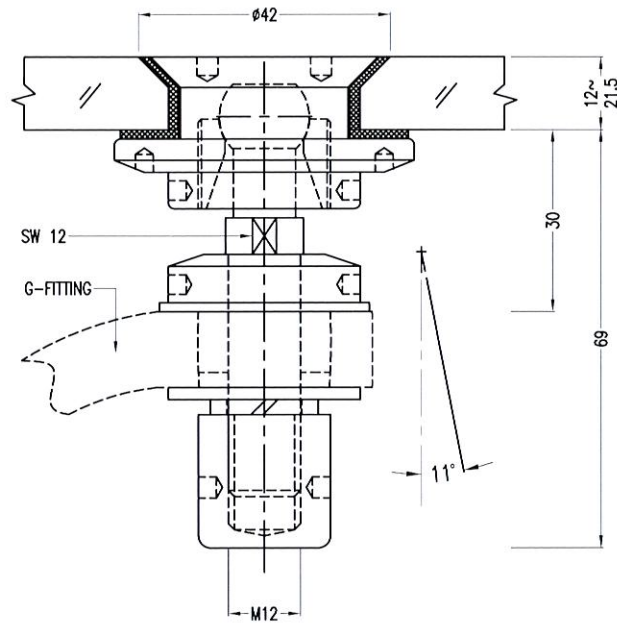


## A - FH - AB - M12 [Adjustable Flat Head Articulated Bolt]

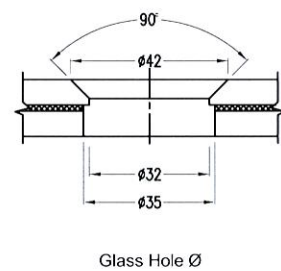
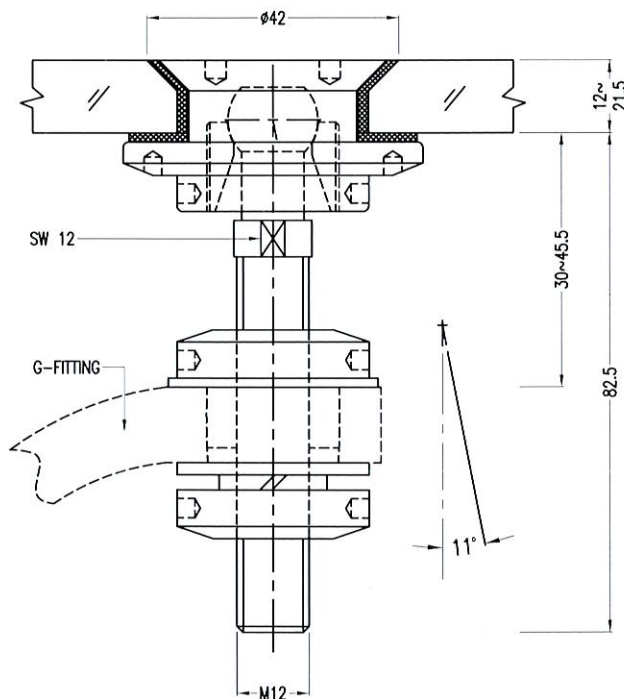




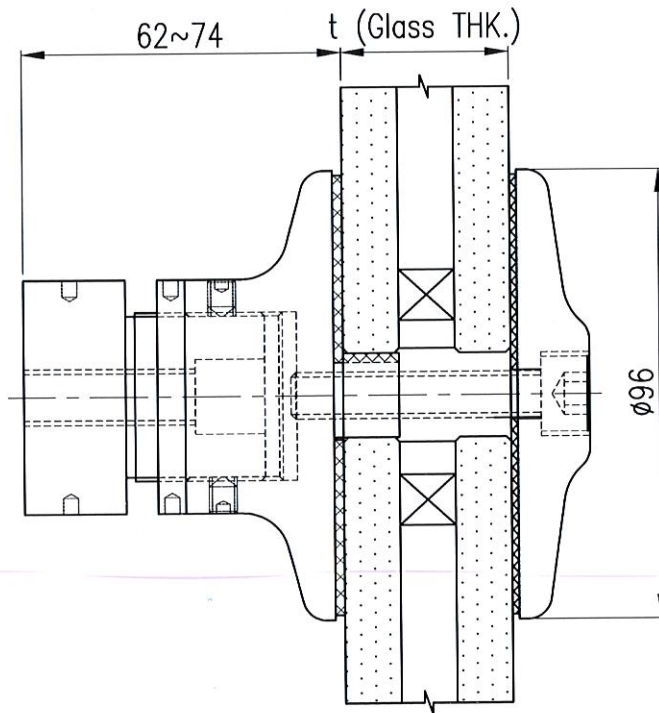
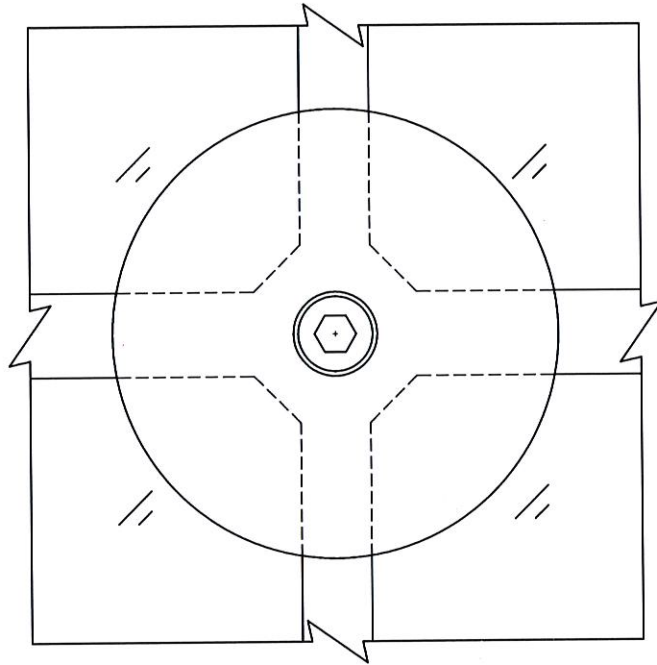
## CS - AB - M12 [Countersunk Articulated Bolt]



## A - CS - AB - M12 [Adjustable Countersunk Articulated Bolt]



## Glass Clamp





[Infodisc Building Taipei, Taiwan]

**Lisus Technology Pte Ltd**

Blk 1090 Lower Delta Road  
#04-01/02 Singapore 169201  
Tel: +65 6262 1181  
Fax: +65 6262 4368  
Email: sales@lisus.com.sg

**LISUS EMIRATES ALUM & GLASS CONT LLC**

Arabian Gulf Trading Office Building  
Near New Al Khan Gate  
Industrial Area #1, P O Box 60527, Sharjah, UAE  
Tel : 971 6 539 4451 Fax : 971 6 539 4821  
Email : sales@lisus.ae  
[www.lisus.com](http://www.lisus.com)



[www.lisus.com](http://www.lisus.com)

Available in polished and satin finishes.  
The fittings are made of stainless steel Grade 316  
that are guaranteed by a stringent assurance system.

