

LISUS[®]



C series
point fixed glass facade system

C series

point fixed glass facade system



Encompassing functionality while encapsulating elegance

C Series

With utmost attention to details, the C SERIES fitting encompasses functionality while encapsulating elegance . Having spent more than three decades as innovators in this field, LISUS has developed a product which defies standard design blueprints of a spider fitting. We have developed the world's most beautiful spider.

C SERIES is a refined and technologically forward series. The collection defines grace in its design and is set to create a sensation in the architectural industry.

Company Profile

LISUS is a leading designer and manufacturer for architectural stainless steel fittings. Inspired by simplicity and functionality, LISUS consistently challenges the boundaries of technology through the development of coveted stainless steel products crafted for effortless installation. Coupled with a diverse range of products, LISUS is your provisional solution to the complexities of creating today's architectural landmarks.

Design Registration No.

Australia - 11256/2008 Europe - 000905690 Indonesia - A00 2008 00907
India - 215274 Malaysia - 08-00407-0101 Singapore - D2008/306/B
Saudi Arabia - 408290091 UAE - 137/2008 China & USA 29/307, 139



Designed by

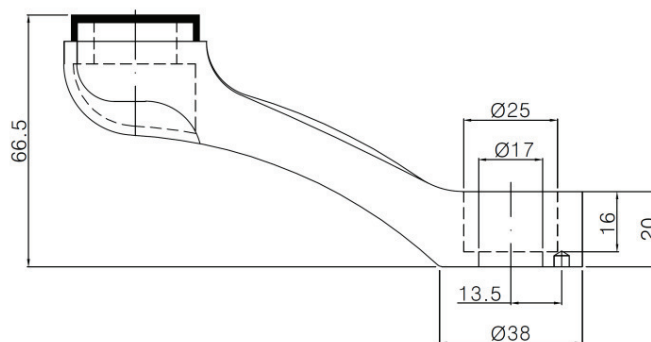
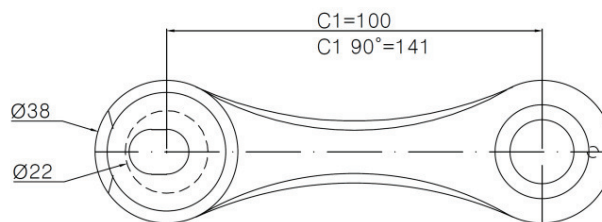
Henriette
at

Nov 2007

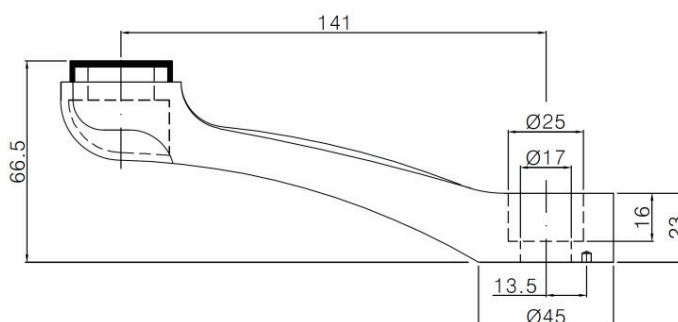
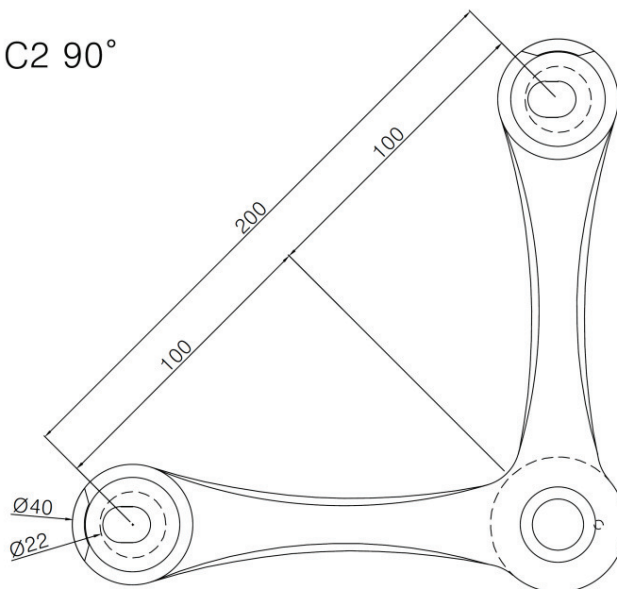
C series

This product has been patent design registered world wide.

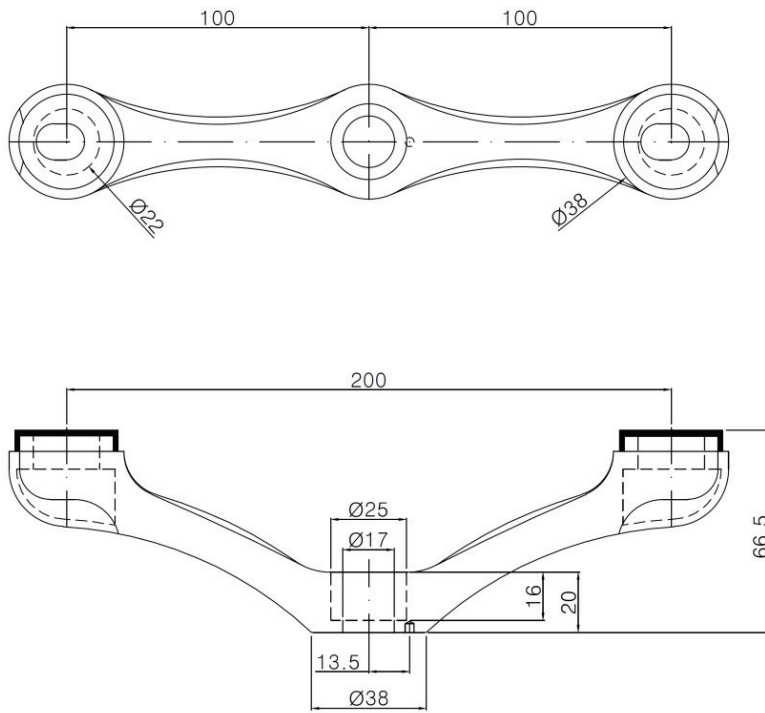
C1



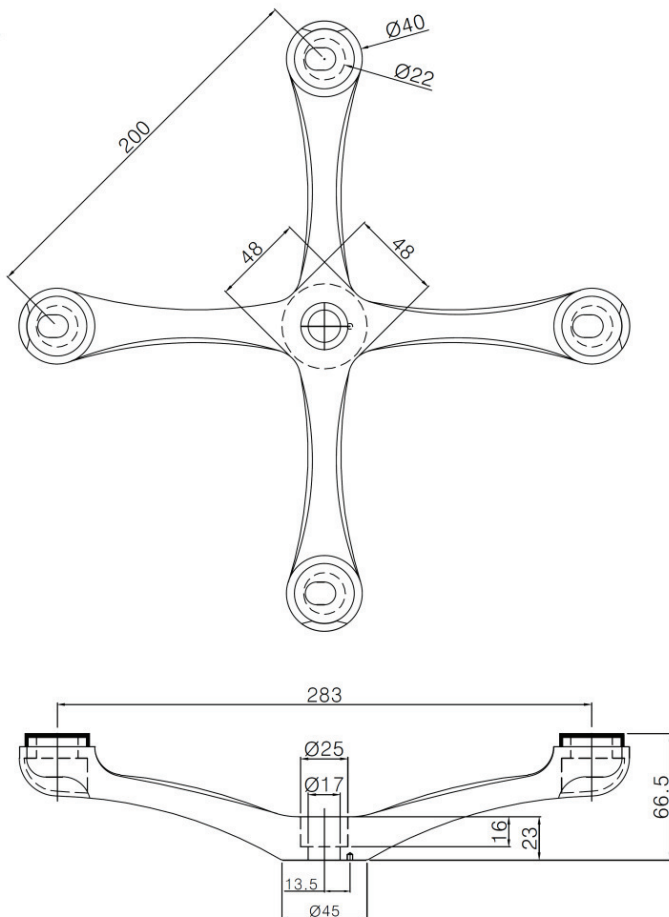
C2 90°



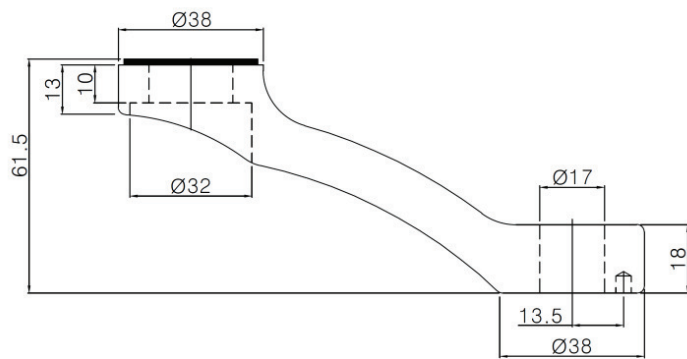
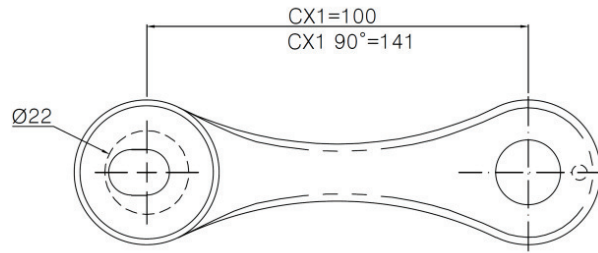
C2



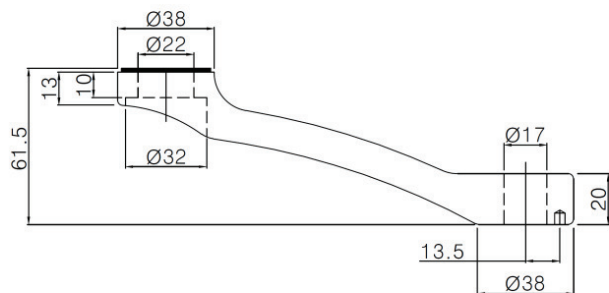
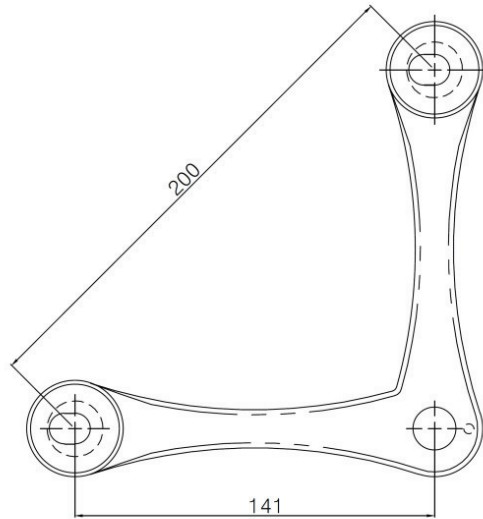
C4



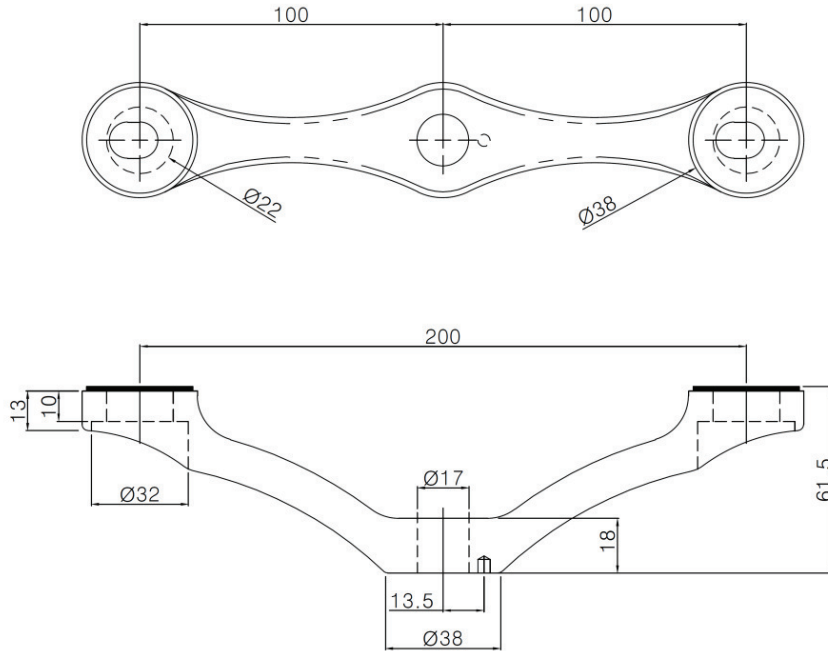
CX1



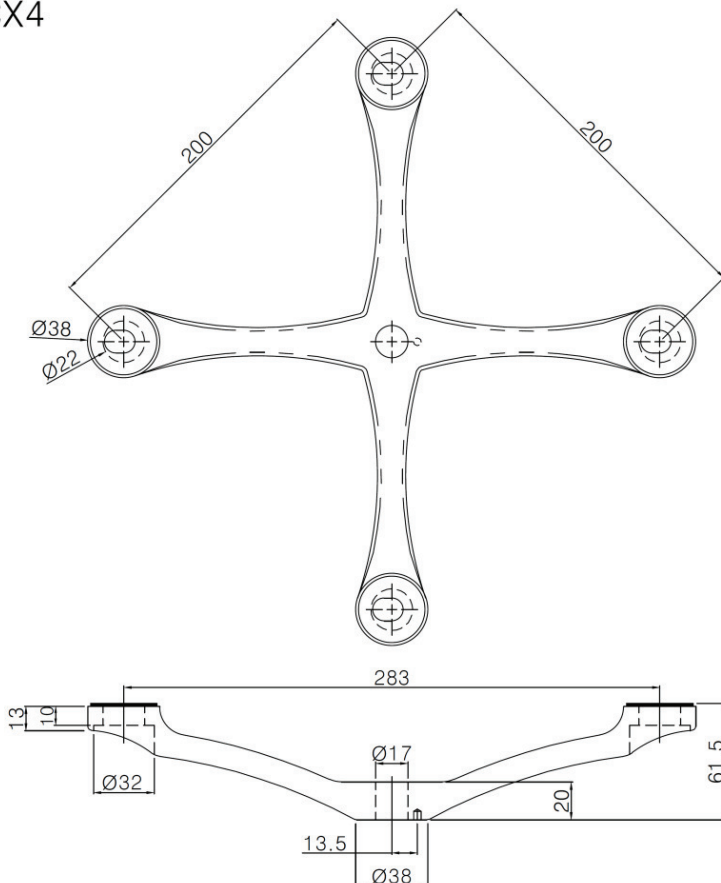
CX2 90°



CX2



CX4



Job Reference

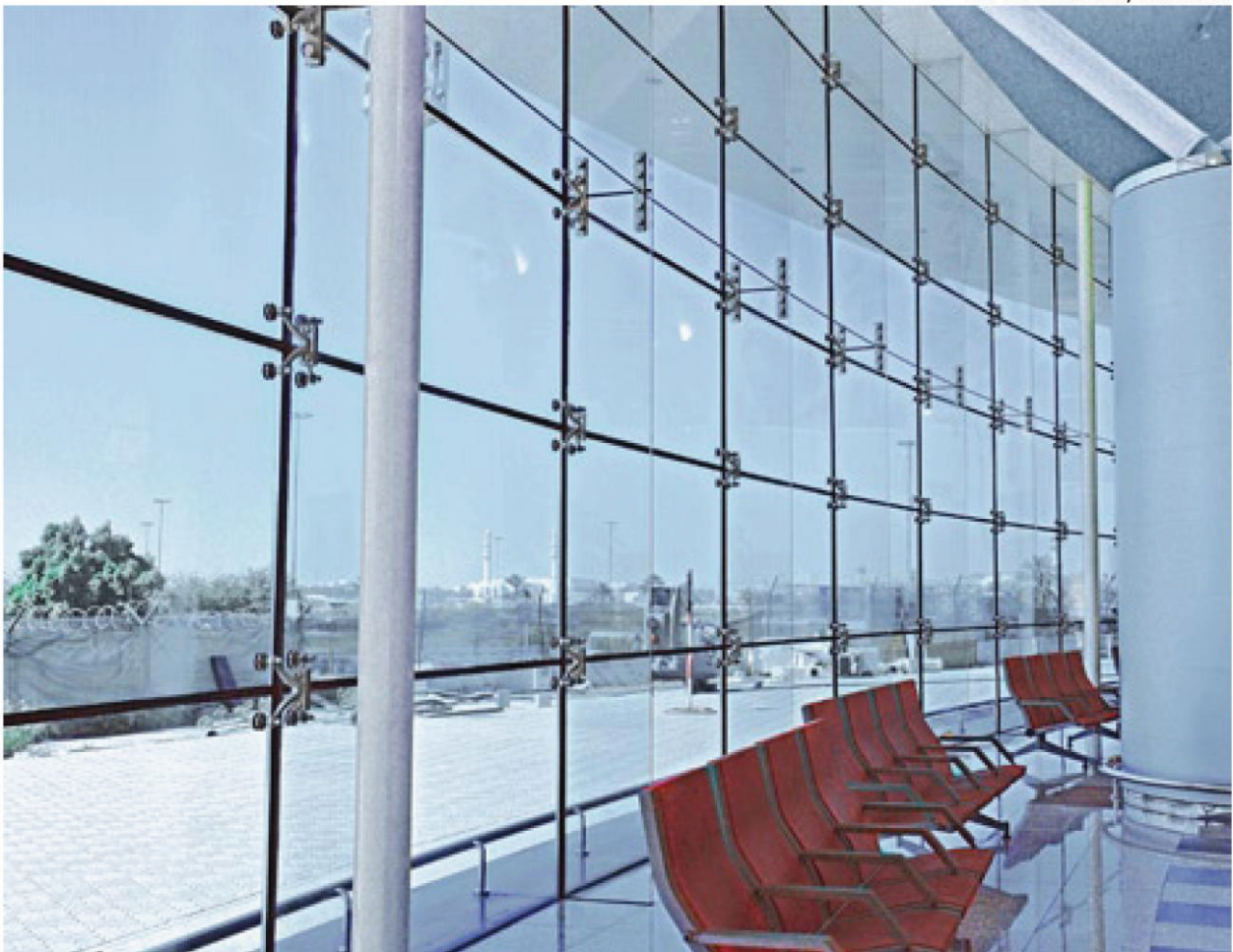


Toyota Showroom, Dubai UAE

Job Reference



Al Muhallab, Kuwait



Sharjah Airport, Dubai UAE



LISUS TECHNOLOGY PTE LTD

BLK 1090, Lower Delta Road
#04-01 / 02 Singapore 169201
Tel: +65 6262 1181
Fax: +65 6262 4368
Email: sales@lisus.com.sg

LISUS EMIRATES ALUMINIUM & GLASS CONT. LLC

Arabian Gulf Trading Office Building
(Near New AL Khan Gate), Industrial Area #1,
P.O. Box 60527, Sharjah, UAE
Tel: (971) 6539 4451
Fax: (971) 6539 4821
Email: sales@lisus.ae

www.lisus.com

All pictures artworks, drawings and any other types of plans appearing in this brochure are the exclusive properties of Lisus Technology Pte Ltd, and cannot be reproduced, copied or used without our permission or consent.

August 2008